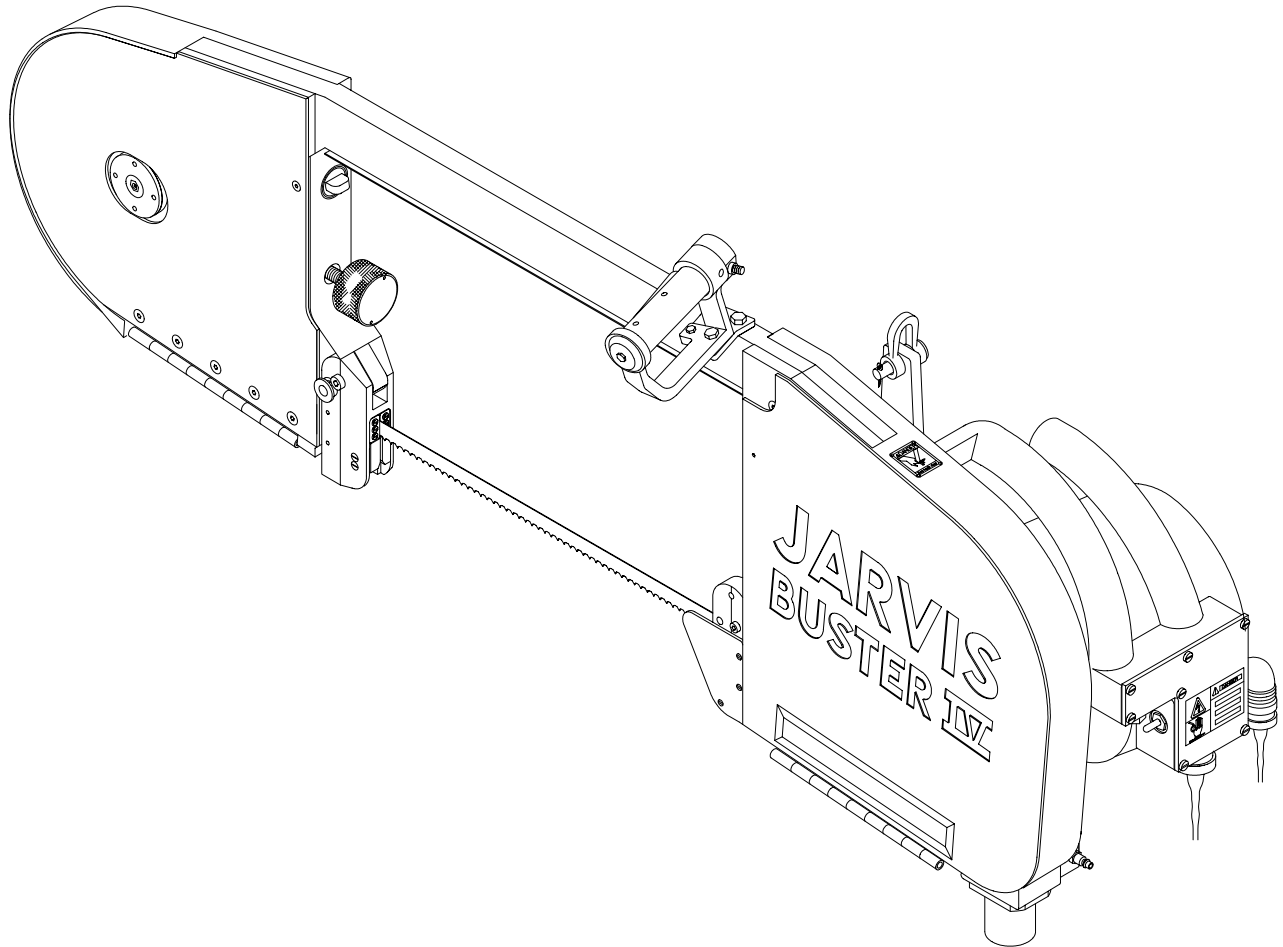


JARVIS

Model Buster IV Beef Splitting Band Saw



EQUIPMENT SELECTION Ordering No.

Buster IV Band Saw	
460/230V-60Hz	4006030
380/220V-50Hz	4006032
Spring Balancer	4042052
Air Balancer (4 feet overall length) .	4042016
Air Balancer (10 feet overall length)	4042020
Standard Blade (119 inches)	1023101
Cut Tooth Blade (119 inches)	1023339
JET Blade (119 inches)	1023619

TABLE OF CONTENTS Page

• Safety Messages to Employer and Safety Director	2
• Safety Messages to Operators, Maintenance and Cleanup Personnel	3
• Parts Diagram and List	4
• Specifications	11
• Installation Instructions	11
• Operation Instructions	13
• Maintenance Instructions	14
• Motor Wiring Diagrams	16

JARVIS®

6206001;

PRODUCTS CORPORATION

33 ANDERSON ROAD, MIDDLETOWN, CONNECTICUT 06457-4926
 UNITED STATES OF AMERICA E-MAIL. jarvis.products.corp@snet.net
 TEL. 860-347-7271 FAX. 860-347-6978 WWW.jarvisproducts.com



SAFETY MESSAGES TO EMPLOYER AND SAFETY DIRECTOR
AVOID INJURY

1. **Follow** our installation and maintenance instructions for proper installation and care of the tool.
2. **Ensure** that all employees who use this tool are trained in the proper use of this tool and are aware of the dangers that may arise if they do not follow the procedure outlined in this brochure.
3. **Enclosed** are four (4) copies of “**NOTICE TO OPERATORS, MAINTENANCE AND CLEANUP PERSONNEL.**” Post one copy on the employees’ bulletin board; give one copy to the operator(s); give one copy to the maintenance foreman; and give one copy to the sub-contract cleanup / internal cleanup foreman. *Additional copies will be provided upon request.*
4. The tool is designed and intended to be powerful. This fact should be obvious to your employees, but you must emphasize it to them.
5. **Ensure** that proper procedures are established in accordance with OSHA’s lockout/tagout procedures (29 CFR 1910.147) to prevent accidental startup or release of stored energy.
6. **Remove and repair** any tool that malfunctions. **All** personnel must be instructed to remove any malfunctioning equipment.
7. **Never** make modifications or alterations to the tool. *Replace any missing or illegible labels.*
8. **Avoid** injury. Do not permit the tool to be misused.
9. **If you resell or distribute** a Jarvis product, you must provide the purchaser with the appropriate safety sheets and tool brochure. *Additional copies of safety sheets and tool brochures will be provided upon request.*



**SAFETY MESSAGES TO OPERATORS, MAINTENANCE AND CLEANUP
PERSONNEL**

***REMOVE ANY MALFUNCTIONING TOOL FROM SERVICE
REPORT ANY PROBLEMS TO YOUR SUPERVISOR***

1. **Never** put fingers, hands or other parts of the body on the cutting edge or within the cutting path of the tool when it is connected to the power supply.
2. **Disconnect** the power supply in accordance with OSHA's lockout/tagout procedures (29 CFR 1910.147) before making any blade changes.
3. **Disconnect** the power supply in accordance with OSHA's lockout/tagout procedures (29 CFR 1910.147) before performing any repairs or maintenance.
4. **Disconnect** the power supply - or have the power supply disconnected - in accordance with OSHA's lockout/tagout procedures (29 CFR 1910.147) before performing any cleanup.
5. **Disconnect** the power supply when the tool is not in use.
6. **Test** the tool prior to use or daily. **Depress one** trigger, then pause one second and depress the other trigger and the tool **should not** start. **Repeat** this procedure reversing the triggers. **Depress both** triggers simultaneously and the tool **should** start. With the tool running, release one trigger and the tool **should** stop. **Continue** holding the depressed trigger and then depress the other trigger. The tool **should not** start. **Repeat** this procedure holding the other trigger. *If the tool malfunctions, remove it from service and report or repair it immediately.*
7. **Never** depress the triggers unless you want to use or test the tool.
8. **Never** make modifications or alterations to the tool. *Report or replace any missing or illegible labels.*

JARVIS®

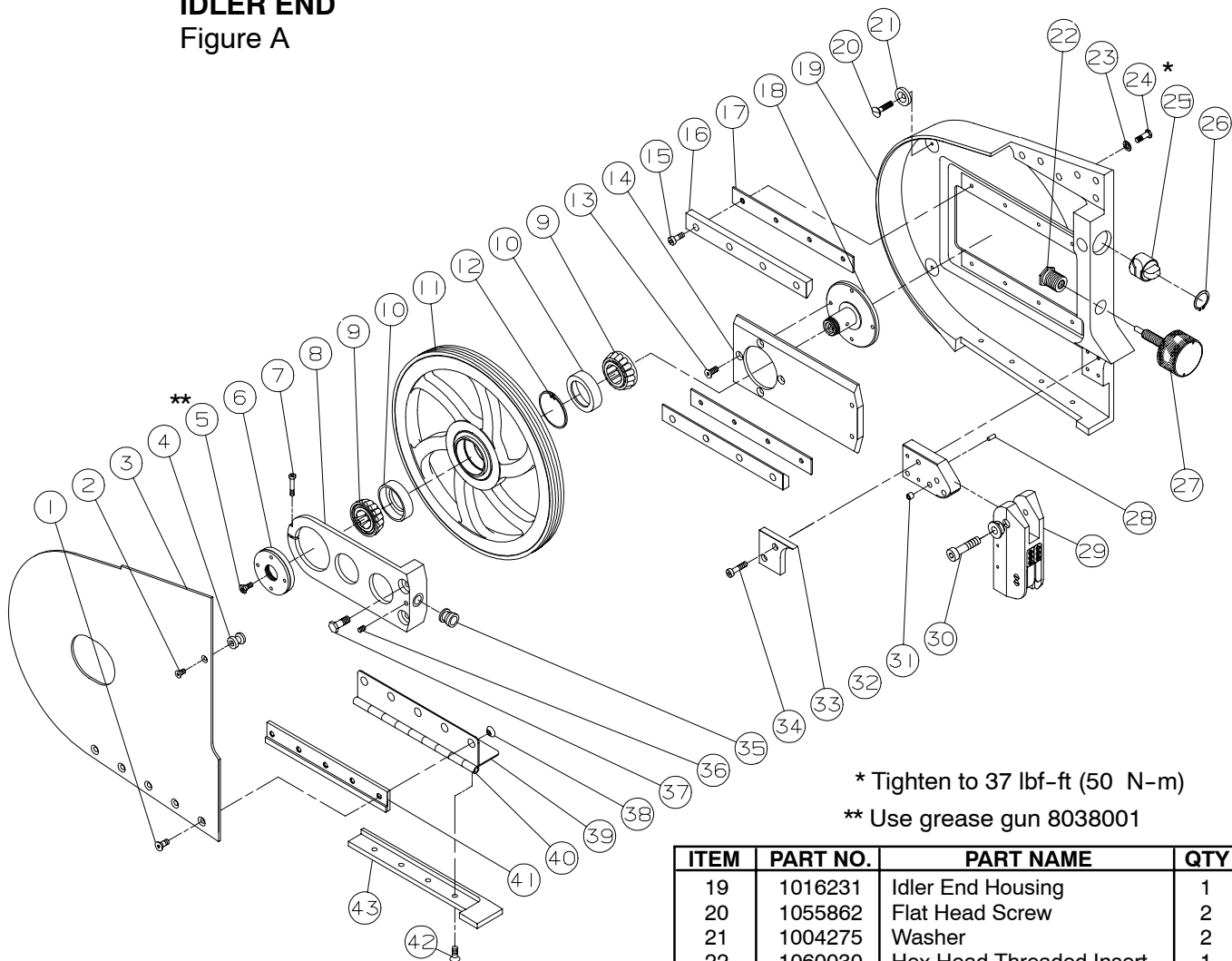
6206001;

PRODUCTS CORPORATION

33 ANDERSON ROAD, MIDDLETOWN, CONNECTICUT 06457-4926
UNITED STATES OF AMERICA E-MAIL: jarvis.products.corp@snet.net
TEL. 860-347-7271 FAX. 860-347-6978 WWW.jarvisproducts.com

IDLER END

Figure A



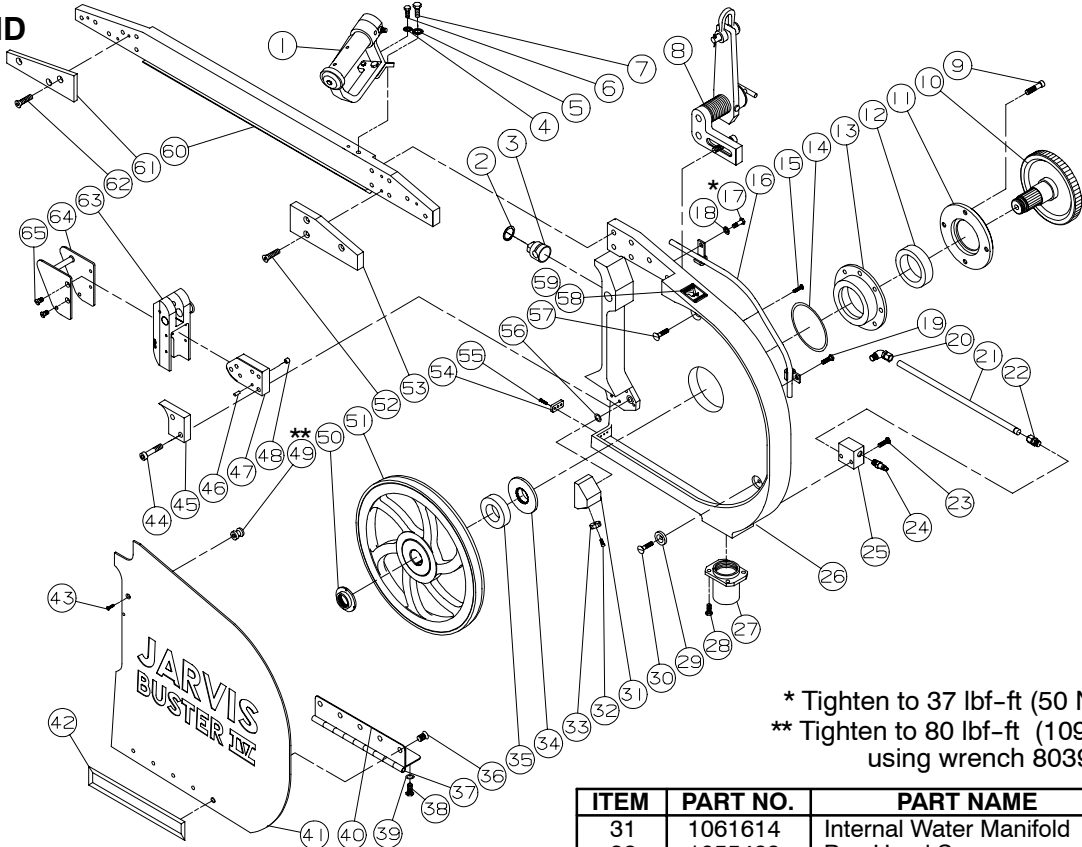
* Tighten to 37 lbf-ft (50 N-m)

** Use grease gun 8038001

ITEM	PART NO.	PART NAME	QTY
1	1055338	Flat Head Socket Cap Screw	5
2	1055277	Flat Head Socket Cap Screw	1
3	1002220	Idler Wheel Cover	1
4	1061201	Door Catch	1
5	1038011	Grease Fitting	1
6	1007176	Lock Nut	1
7	1055536	Socket Head Cap Screw	1
8	1042127	Support Bracket with item 7	1
9	1021235	Roller Bearing Cone	2
10	1021234	Roller Bearing Cup	2
	3021006	Bearing Cup and Cone	
11	1057023	Idler Wheel	1
12	1013141	Internal Retaining Ring	1
13	1055363	Flat Head Socket Cap Screw	4
14	1042126	Slide Plate	1
15	1055021	Socket Head Cap Screw	8
16	1061220	Slide Rail	2
17	1029194	Slide Rail Spacer	2
18	1020146	Idler Wheel Shaft	1

ITEM	PART NO.	PART NAME	QTY
19	1016231	Idler End Housing	1
20	1055862	Flat Head Screw	2
21	1004275	Washer	2
22	1060030	Hex Head Threaded Insert	1
23	1004154	Plain Washer	6
24	1055488*	Hex Head Screw	6
25	1006025	Door Knob	1
26	1013122	Internal Retaining Ring	1
27	page 6	Torque Knob Assembly	1
28	1010579	Roll Pin	2
29	page 6	Guide Assembly, Idler End	1
30	1055457	Socket Hd Shoulder Screw	2
31	1036127	Bushing (spare part only)	1
32	1032155	Guide Mounting Plate	1
33	1002224	Guide Plate Cover	1
34	1055270	Socket Head Cap Screw	2
35	1036103	Torque Knob Thrust Bushing	1
36	1055026	Socket Set Screw, Cup Pt.	1
37	1055486	Hex Head Screw	2
38	1007177	Taper Nut	5
39	1067008	Hinge with item 40	1
40	1010214	Hinge Pin	1
41	1029195	Hinge Spacer	1
42	1055361	Flat Head Socket Cap Screw	4
43	1002221	Hinge Cover	1

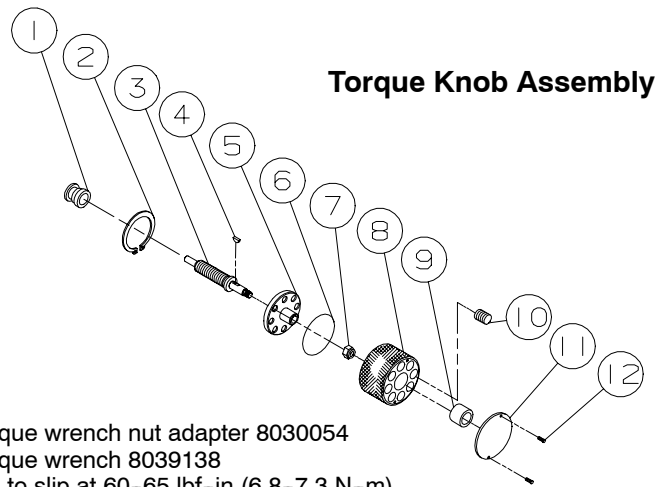
DRIVE END
Figure B



ITEM	PART NO.	PART NAME	QTY
1	page 7 or 8	Top Handle Assembly	1
2	1013122	Internal Retaining Ring	1
3	1006025	Door Knob	1
4	1004051	Int. Tooth Lock Washer	1
5	1004093	Int. Tooth Lock Washer	1
6	1055304	Hex Head Screw	1
7	1055358	Hex Head Screw	1
8	page 7	Hanger Assembly	1
9	1055027	Socket Head Cap Screw	4
10	1026078	Driven Gear 60 Hz 86 Teeth	1
	1026080	Driven Gear 50 Hz 82 Teeth	1
11	1002213	Bearing Retaining Cover	1
12	1021424	Ball Bearing	1
13	1044043	Bearing Retaining Flange	1
14	1035208	O-ring	1
15	1055331	Hex Head Screw	2
16	3063021	Conduit Assembly	1
17	1055498*	Hex Head Screw	6
18	1004154	Plain Washer	6
19	1055344	Hex Head Screw	1
20	1050232	Male Elbow Assembly	1
21	1059030	Plastic Tubing (12 inch)	1
22	1050242	Male Connector	1
23	1055287	Hex Head Screw	2
24	1051001	Quick Connect Plug	1
25	1061203	External Water Manifold	1
26	1016233	Drive End Housing with items 58 and 59	1
27	1011217	Drain Coupling	1
28	1055049	Socket Head Cap Screw	4
29	1004275	Washer	2
30	1055862	Flat Head Screw	2

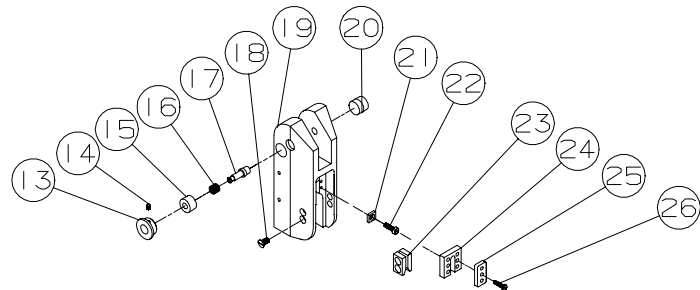
ITEM	PART NO.	PART NAME	QTY
31	1061614	Internal Water Manifold	1
32	1055499	Pan Head Screw	1
33	1061580	Adjustable Nozzle	1
34	1029187	Spacer	1
35	1035207	Oil Seal	1
36	1055338	Flat Head Socket Screw	5
37	1010214	Hinge Pin	1
38	1055296	Hex Head Screw	4
39	1004049	Split Lock Washer	4
40	1067007	Hinge with item 37	1
41	1002222	Drive Wheel Cover	1
42	1032156	Nut Cover Plate	1
43	1055277	Flat Head Socket Screw	1
44	1055459	Socket Head Cap Screw	2
45	1002209	Guide Plate Cover	1
46	1010579	Roll Pin	2
47	1032155	Guide Mounting Plate	1
48	1036127	Bushing (spare part only)	1
49	1061201	Door Catch	1
50	1007173**	Bearing Locknut	1
51	1057022	Drive End Wheel	1
52	1055025	Flat Head Socket Screw	3
53	1002219	Drive End Rail Cover	1
54	1058061	Blade Guide	1
55	1055490	Pan Head Screw	3
56	1035210	O-ring	1
57	1055485	Flat Head Screw	1
58	1017081	Danger Label	1
59	1055482	Pan Head Screw	4
60	1061221	Saw Frame Rail	1
61	1002218	Idler End Rail Cover	1
62	1055361	Flat Head Socket Screw	3
63	page 6	Drive End Blade Guide	1
64	1024063	Blade Guide Guard	1
65	1055255	Flat Head Socket Screw	4

ITEM	PART NO.	PART NAME	QTY
1	1036103	Thrust Bushing	1
2	1013244	Internal Retaining Ring	1
3	1020144	Torque Knob Shaft	1
4	1030067	Woodruff Key	1
5	1021259	Flanged Bearing Race	1
6	1035163	O-ring	1
7	1007041	Hex Lock Nut	1
8	1006026	Torque Knob	1
9	1021106	Roller Bearing	1
10	1039024	Ball Plunger	8
11	1002239	Torque Knob Cover	1
12	1055482	Pan Head Screw	2
	3006005	Torque Knob Assembly (includes items 1-12)	2
13	1006022	Lock Pin Knob	2
14	1073037	Socket Set Screw, Cup Pt.	2
15	1036124	Drive End Lock Pin Bushing	1
	1036131	Idler End Lock Pin Bushing	1
16	1014059	Compression Spring	2
17	1010213	Drive End Lock Pin	1
	1010219	Idler End Lock Pin	1
18	1055302	Pan Head Screw	8
19	1016228	Drive End Guide Housing	1
	1016234	Idler End Guide Housing	1
20	1061202	Guide Plug	2
21	1058078	Back-up Blade Guide	2
22	1055014	Socket Head Cap Screw	2
23	1058090	Fiber Blade Guide	4
24	1032160	Blade Guide Mounting Plate	2
25	1058061	Blade Guide Insert	4
26	1055418	Pan Head Slotted Screw	12
	3058051	Drive End Guide Package (includes items 13-26)	1
	3058054	Idler End Guide Package (includes items 13-26)	1
27	1035209	O-ring	1
28	1021139	Ball Bearing	1
29	1055948	Socket Head Cap Screw	3
30	1016227	Bearing Retaining Flange	1
31	1055104	Socket Head Cap Screw	4
32	1004069	Split Lock Washer	4
33	1010215	Locator Pin	2
34	1016225	Gear Housing	1
35	1035009	O-ring	1
36	1030096	Square Key	1
37	page 9	Motor (3.3 Hp., 3 Phase):	1
	1008077	460/230V, 60 Hz	
	1008135	380/220V, 50 Hz	
38	1055357	Hex Head Screw	8
39	1004032	Flat Washer	8
40	1050771	Hex Socket Pipe Plug	2
41	1035206	Oil Seal	1
42	1055467	Socket Set Screw, Cup Pt.	1
43	1026087	Drive Gear 60 Hz (30 Teeth)	1
	1026088	Drive Gear 50 Hz (34 Teeth)	
44	1055468	Socket Set Screw, Flat Pt.	1
		Motor Accessories, Finned:	1
	1035214	Gasket Seal	
	1021240	Ball Bearing (Front)	
	1021241	Ball Bearing (Rear)	
	1063163	Rotor	
	1035216	Oil Seal	
	1063176	Electrical Plug	

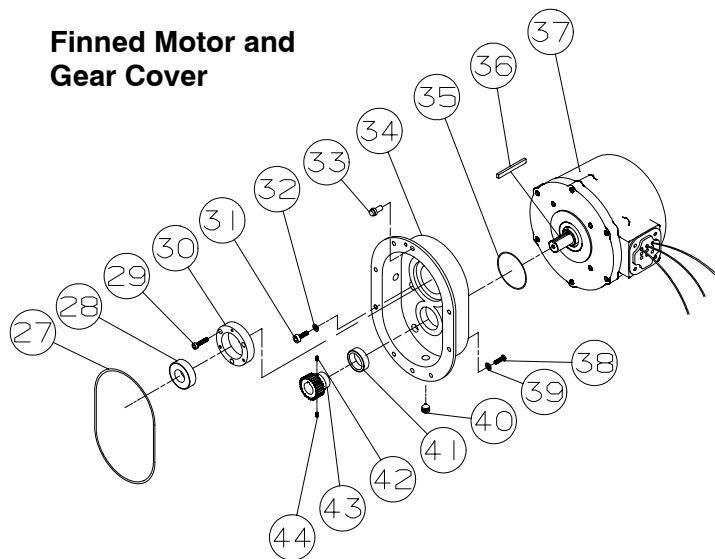


Torque wrench nut adapter 8030054
 Torque wrench 8039138
 Set to slip at 60-65 lbf-in (6.8-7.3 N-m)

Blade Guide Assembly, Idler and Drive End

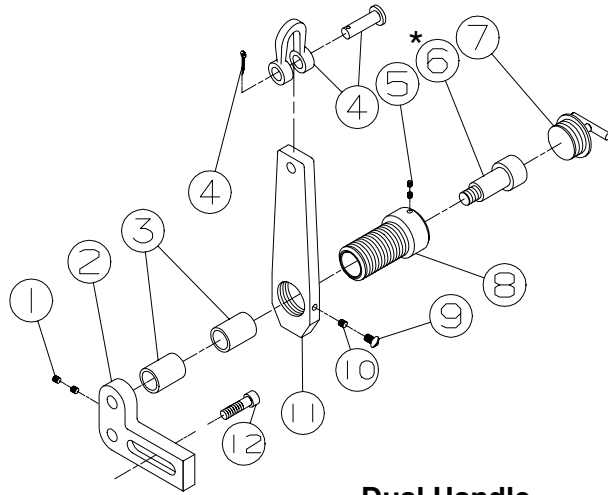


Finned Motor and Gear Cover

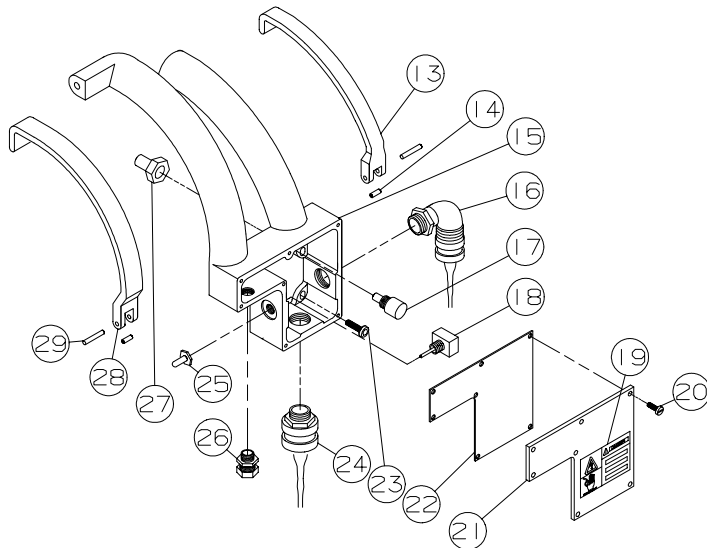


Hanger Assembly

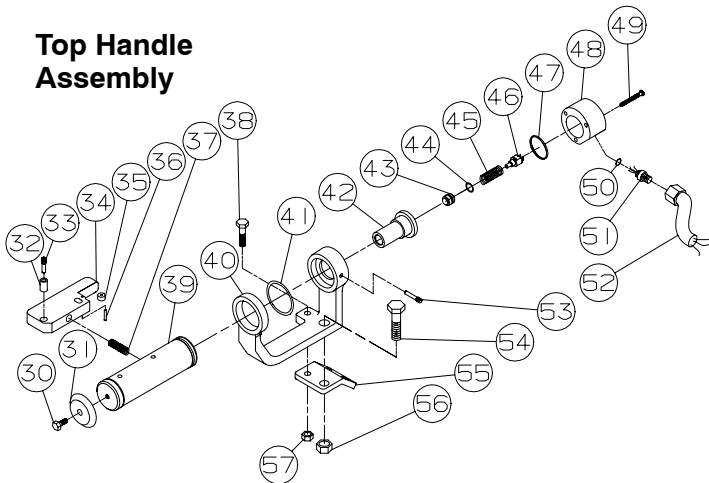
*Tighten to 115 lbf-ft (156 N-m)



Dual Handle Control Assembly



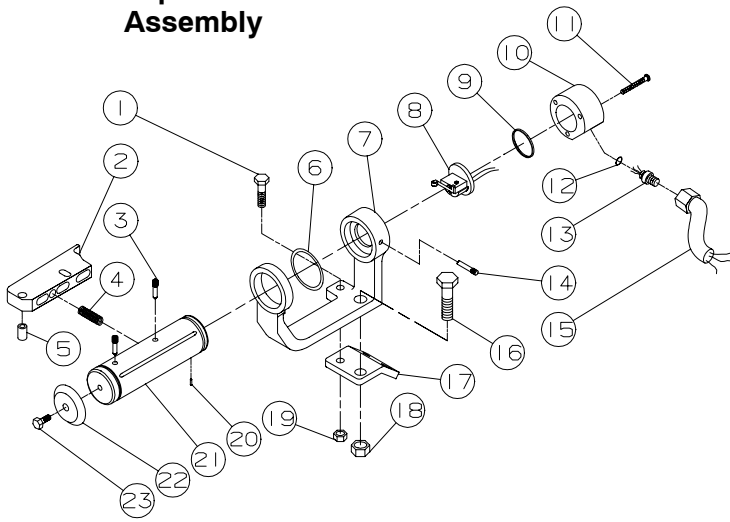
Top Handle Assembly



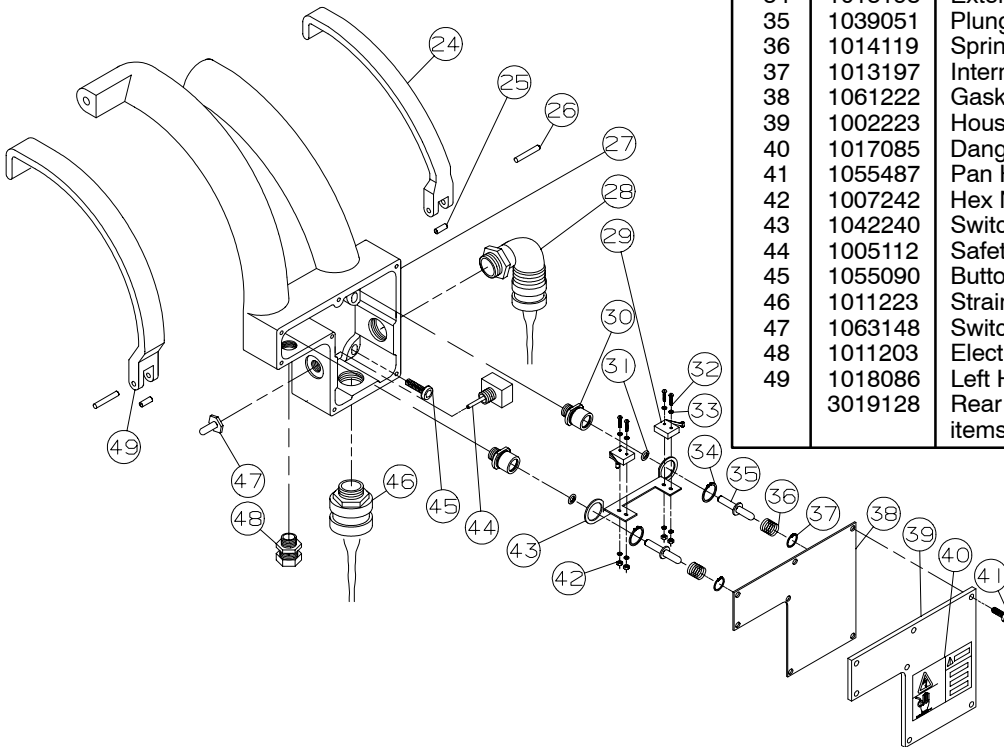
ITEM	PART NO.	PART NAME	QTY
1	1055721	Socket Set Screw, Cup Pt.	2
2	1042125	Hanger Bracket	1
3	1021493	Cylindrical Bearing	2
4	1028040	Pin and Shackle Link Assy.	1
5	1055469	Socket Set Screw, Cup Pt.	1
6	1055455*	Socket Hd. Shoulder Screw	1
7	1050243	Handle	1
8	1016226	Bearing Retaining Housing	1
9	1055471	Thumb Screw	1
10	1061855	Cylindrical Insert	2
11	1028061	Hanger Link	1
12	1055367	Socket Head Cap Screw	2
	3061080	Hanger Assembly (includes items 1-11)	
13	1018085	Right Hand Trigger Lever	1
14	1036132	Bushing	2
15	1019086	Switch Hsg. and Hdl. w/item 14	1
16	1011182	Strain Relief Connector	1
17	1005020	Push Button Switch	2
18	1005112	Safety Kill Switch	1
19	1017085	Electric Danger Label	1
20	1055487	Pan Head Screw	7
21	1002223	Switch Hsg Cover w/item 19	1
22	1061222	Switch Housing Gasket	1
23	1055090	Button Head Screw	4
24	1011223	Strain Relief Connector	1
	1011174	Cord Connector, 42V only	
25	1063148	Switch Boot	1
26	1011203	Strain Relief Connector	1
27	1035123	Threaded Boot Seal	2
28	1018086	Left Hand Trigger Lever	1
29	1010145	Dowel Pin	2
	3019035	Saw Handle Assembly (includes items 13-23 and 25-29)	
30	1055296	Hex Head Screw	1
31	1004182	Washer	1
32	1021314	Bushing	1
33	1010273	Threaded Pin	2
34	1018111	Trigger Lever with items 32, 35 and 36	1
35	1061368	Trigger Roller	1
36	1010275	Dowel Pin	1
37	1014097	Compression Spring	1
38	1055304	Hex Head Screw	1
39	1019118	Handle	1
40	1042164	Handle Bracket	1
41	1013181	External Retaining Ring	1
42	1016316	Switch Housing	1
43	1039044	Plunger with item 44	1
44	1035173	O-ring	1
45	1014098	Compression Spring	1
46	1005059	Push Button Switch	1
47	1035282	O-ring	1
48	1002270	Switch Cover	1
49	1055592	Flat Head Phillips Screw	3
50	1035210	O-ring	1
51	1063220	Electrical Connector w/item 50	1
52	1001049	Wire and Plug	1
53	1010274	Threaded Pin	1
54	1055358	Hex Head Screw	1
55	1042176	Handle Bracket	1
56	1007022	Hex Lock Nut	1
57	1007059	Hex Lock Nut	1
	3019073	Top Handle Assembly (includes items 30-57)	

Electric Handles for Export Tools

Top Handle Assembly

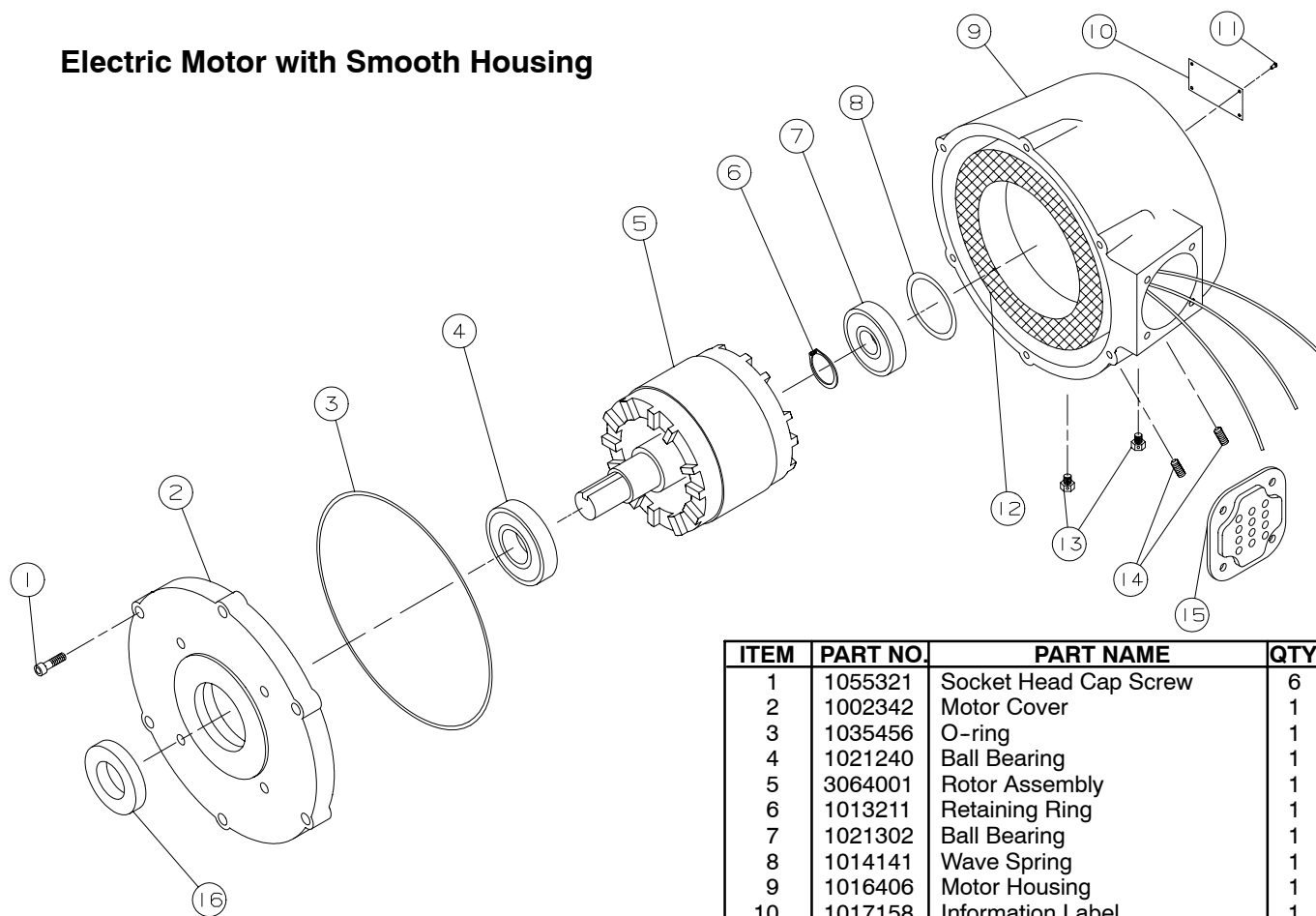


ITEM	PART NO.	PART NAME	QTY
1	1055304	Hex Head Screw	1
2	1018113	Trigger Lever with item 5	1
3	1010273	Threaded Pin	2
4	1014096	Spring	1
5	1021314	Bushing	1
6	1013181	External Retaining Ring	1
7	1042164	Handle Bracket	1
8	3005017	Switch Assembly	1
9	1035282	O-ring	1
10	1002270	Switch Cover	1
11	1055592	Flat Head Screw	3
12	1035210	O-ring	1
13	1063220	Electrical Connector w/item 13	1
14	1010274	Threaded Pin	1
15	1001049	Wire with Molded Plug	1
16	1055358	Hex Head Screw	1
17	1042176	Handle Mounting Bracket	1
18	1007022	Hex Lock Nut	1
19	1007059	Hex Lock Nut	1
20	1010297	Roll Pin	1
21	1019128	Switch Handle with item 20	1
22	1004182	Washer	1
23	1055296	Hex Head Screw	1
	3019115	Top Handle Assembly (includes items 1-23)	
24	1018085	Right Hand Trigger Lever	1
25	1036132	Bushing	2
26	1010145	Pin	2
27	1019086	Switch Hsg. & Hdl. w/item 25	1
28	1011182	Connector, 90 Degree	1
29	1005114	Switch	2
30	1016354	Switch Housing with item 31	2
31	1035012	O-ring	2
32	1055629	Round Head Screw	4
33	1004423	Washer	8
34	1013198	External Retaining Ring	2
35	1039051	Plunger	2
36	1014119	Spring	2
37	1013197	Internal Retaining Ring	2
38	1061222	Gasket	1
39	1002223	Housing Cover with item 40	1
40	1017085	Danger Label	1
41	1055487	Pan Head Screw	7
42	1007242	Hex Nut	4
43	1042240	Switch Mounting Bracket	1
44	1005112	Safety Kill Switch	1
45	1055090	Button Head Screw	4
46	1011223	Strain Relief Connector	1
47	1063148	Switch Boot	1
48	1011203	Electrical Connector	1
49	1018086	Left Hand Trigger Lever	1
	3019128	Rear Handle Assy. (includes items 24-45, 47-49)	



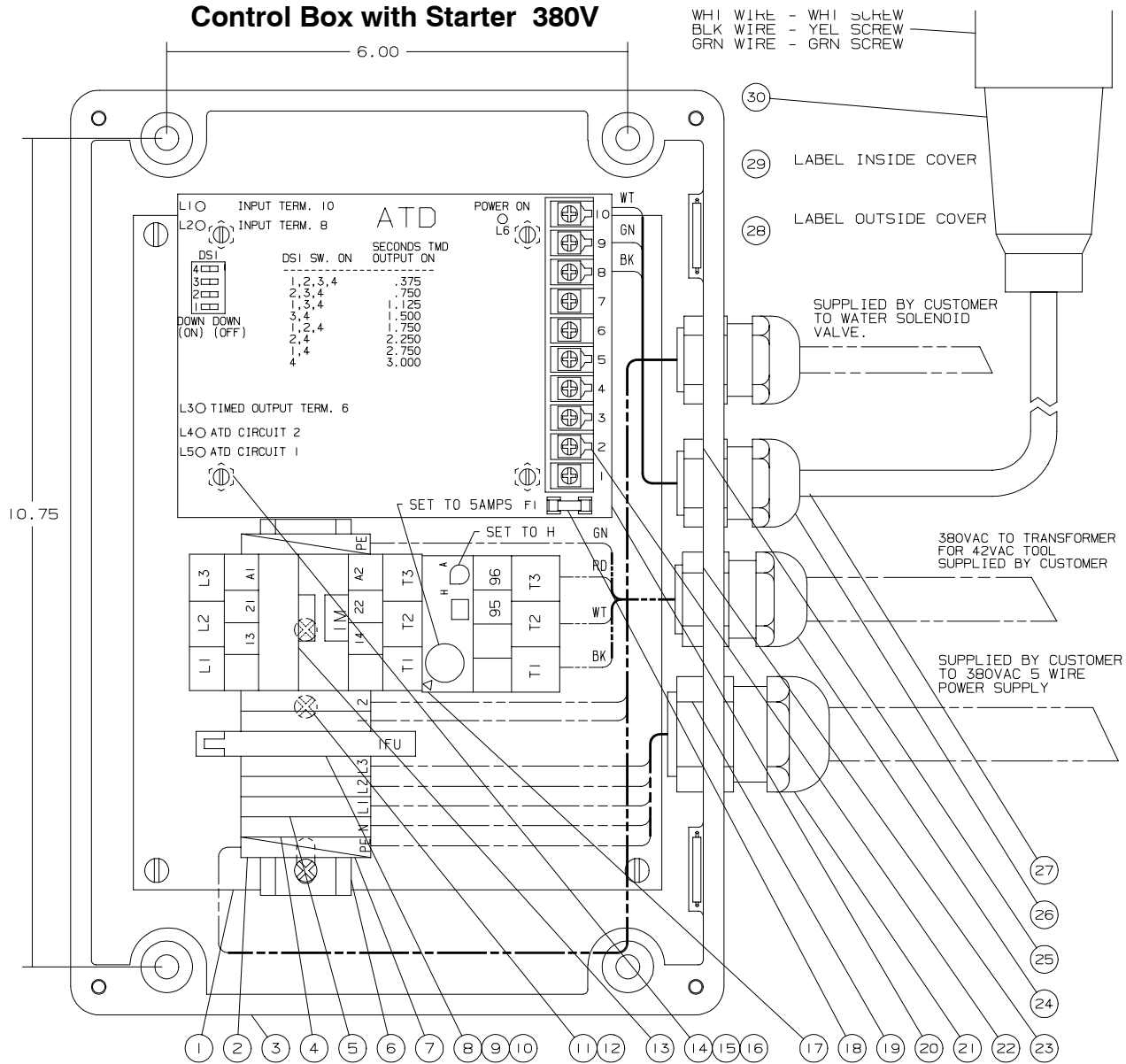
Rear Handle Assembly

Electric Motor with Smooth Housing



**For 9 wire and 6 wire motor
hook-ups see page 15.**

ITEM	PART NO.	PART NAME	QTY
1	1055321	Socket Head Cap Screw	6
2	1002342	Motor Cover	1
3	1035456	O-ring	1
4	1021240	Ball Bearing	1
5	3064001	Rotor Assembly	1
6	1013211	Retaining Ring	1
7	1021302	Ball Bearing	1
8	1014141	Wave Spring	1
9	1016406	Motor Housing	1
10	1017158	Information Label	1
11	1055039	Drive Screw	4
12	1063783	Stator, 575V-60Hz	
	1063576	Stator, 460/230V-60Hz	
	1063780	Stator, 415V-50Hz	
	1063778	Stator, 380/220V-60Hz	
	1063773	Stator, 380/220V-50Hz	
	1063742	Stator, 115V-50Hz	
	1063779	Stator, 208V-60Hz	
	1063712	Stator, 42V-50Hz	
13	1051151	Threaded Fitting	2
14	1055849	Socket Set Screw	2
15	1035214	Gasket	1
16	1035216	Seal	1
		Stator and Housing Assembly (includes items 9-14)	
	3016336	Hsg. & Stator 575V-60Hz	
	3016337	Hsg. & Stator 460/230V-60Hz	
	3016338	Hsg. & Stator 415V-50Hz	
	3016339	Hsg. & Stator 380/220V-60Hz	
	3016340	Hsg. & Stator 380/220V-50Hz	
	3016342	Hsg. & Stator 208V-60Hz	
	3016341	Hsg. & Stator 115V-50Hz	
	3016343	Hsg. & Stator 42V-50Hz	
		Power Cord (specify length)	
	1001111	42V	
	1001046	115V-575V	

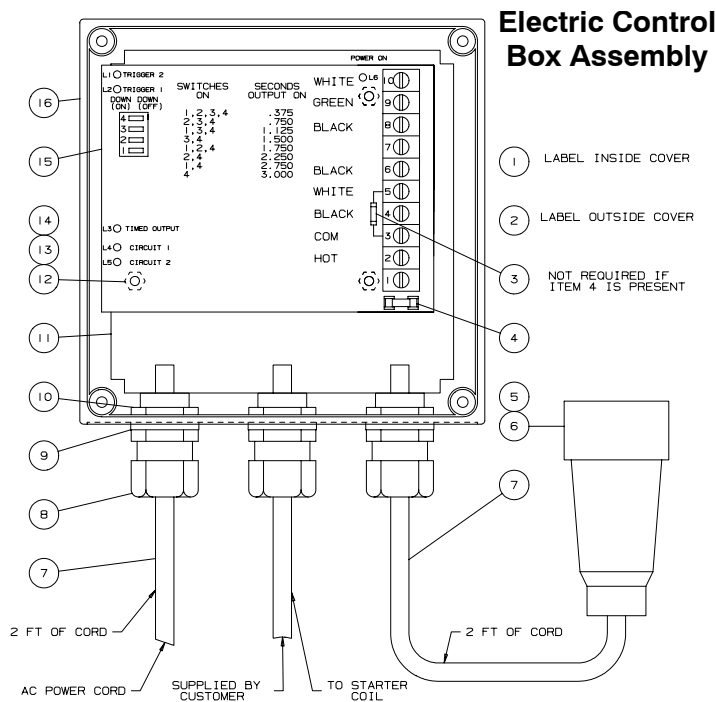


ITEM	PART NO.	PART NAME	QTY
1	1032450	Mounting Plate	1
2	1063496	Terminal Block, Yel/Green	2
3	1016418	Electrical Enclosure	1
4	1063495	Terminal Block, Blue	1
5	1063494	Terminal Block, Grey	5
6	1063522	Terminal Rail	1
7	1063363	Terminal Marker	8
8	1063390	Terminal Block, Fuse	1
9	1063825	Terminal Marker	1
10	1063743	Fuse	1
11	1055803	Screw, Pan Head	3
12	1004247	External Lock Washer	3
13	1072122	Contactors	1
14	1029445	Hex Spacer	4
15	1004244	Lock Washer	4
16	1073072	Pan Head Slotted Screw	4

ITEM	PART NO.	PART NAME	QTY
17	1072117	Overload Relay	1
18	1072091	Fuse, Glass 115V	1
	1063862	Fuse, Glass 230V	
19	1007266	Locking Nut	1
20	1072071	ATD Circuit Board, 115V	1
	1072072	ATD Circuit Board, 230V	
21	1011262	Cord Connector	1
22	1063502	Terminal Fork	9
23	1007256	Locking Nut	1
24	1011249	Cord Connector	1
25	1007249	Locking Nut	2
26	1011248	Cord Connector	2
27	1001089	Cord, 3 ft	1
28	1017085	Label Outside Cover	1
29	1017155	Label inside Cover	1
	3063179	Control Box Assy, 380V	

ITEM	PART NO.	PART NAME	QTY
1	1017110	Wiring Diagram, 115V	1
	1017111	Wiring Diagram, 230V	1
2	1017085	Electrical Danger Label	1
3	1063311*	Pigtail Fuse, 115V	1
	1063312*	Pigtail Fuse, 230V	1
4	1072091	Glass Fuse, 115V	1
	1063862	Glass Fuse, 230V	1
5	1063208	Electrical Outlet	1
6	1063209	Electrical Plug (not shown)	1
7	1001014	Electrical Cord	ft
8	1011240	Strain Relief Connector	3
9	1004211	Sealing Washer	3
10	1007278	Locking Nut	3
11	1032265	Panel	1
12	1073072	Pan Head Slotted Screw	4
13	1029445	Hex Spacer	4
14	1004244	Lock Washer	4
15	1072071	ATD Circuit Board, 115V	1
	1072072	ATD Circuit Board, 230V	1
16	1016346	Electrical Box Enclosure	1
	3016167	Control Box Assy, 115V	
	3016190	Control Box Assy, 230V (items 1, 2, 4, 5 and 7-16)	

* not used in current tools



SPECIFICATIONS

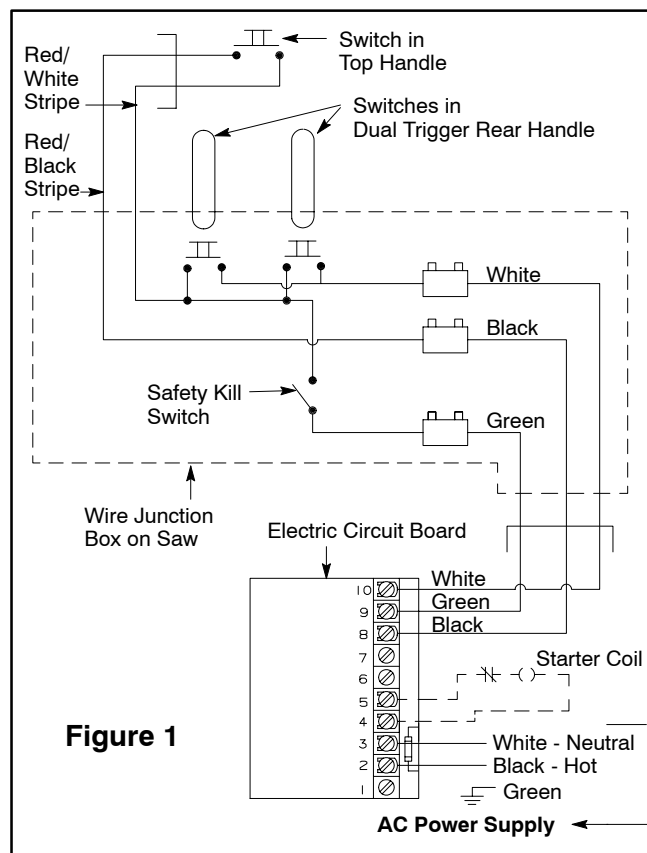
Model Buster IV

Motor Power	3.3 hp	2500 W
Operating Voltage	460/230 V, 3 phase, 60 Hz all other voltages and 50 Hz available	
Capacity	180 head / hour	
Control Handles	Electric Dual Anti-tie Down	
Distance between guides	17.75 in	451 mm
Blade Length	119.0 in	3023 mm
Overall Length	54 in	1372 mm
Drive Wheel Speed	620 rpm	
Weight	190 lbs	86 kg

INSTALLATION INSTRUCTIONS

ALWAYS DISCONNECT THE POWER SUPPLY IN ACCORDANCE WITH OSHA'S LOCKOUT/TAGOUT PROCEDURES (29 CFR 1910.147) BEFORE PERFORMING ANY MAINTENANCE OR REPAIRS.

ALL WIRING MUST BE DONE IN ACCORDANCE WITH NATIONAL, STATE AND LOCAL ELECTRICAL CODES.

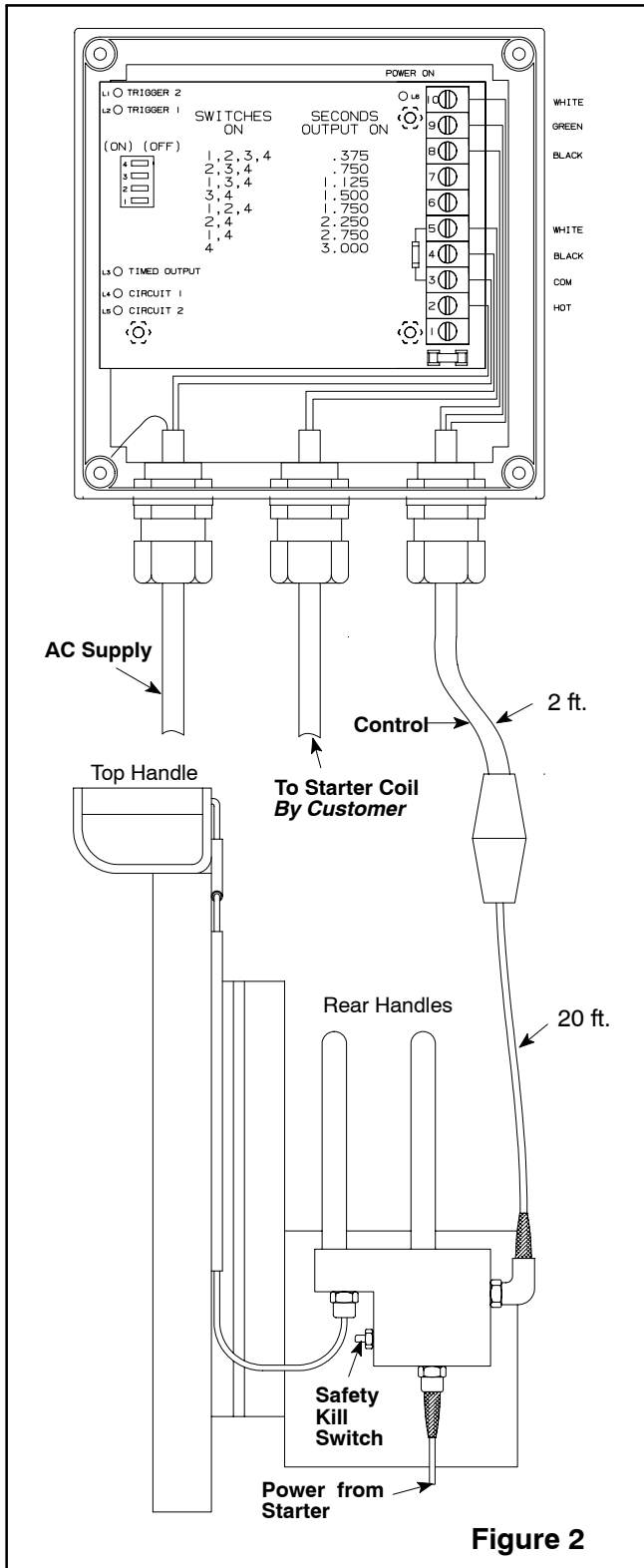


JARVIS®

6206001;

PRODUCTS CORPORATION

33 ANDERSON ROAD, MIDDLETOWN, CONNECTICUT 06457-4926
UNITED STATES OF AMERICA E-MAIL: jarvis.products.corp@snet.net
TEL. 860-347-7271 FAX. 860-347-6978 WWW.jarvisproducts.com



1 Install the electrical control box in a dry location that will not be subject to wash downs.

2 Wire the electrical control box.

Refer to figures 1 and 2.

2.1 Attach wires numbered 1, 2 and 3 to the appropriate AC power supply. Check the label (item 1, page 11) inside the control box cover for the correct voltage and frequency.

2.2 Attach wires numbered 4 and 5 to a starter coil (supplied by the customer). *Disconnect any other source of power to the starter coil. The coil operating voltage is indicated on the label (item 1, page 11) inside the control box cover.*

2.3 The connection between the Buster IV and the control box is pre-wired and is approximately 20 feet (6.1 m) long.

3 Wire the motor.

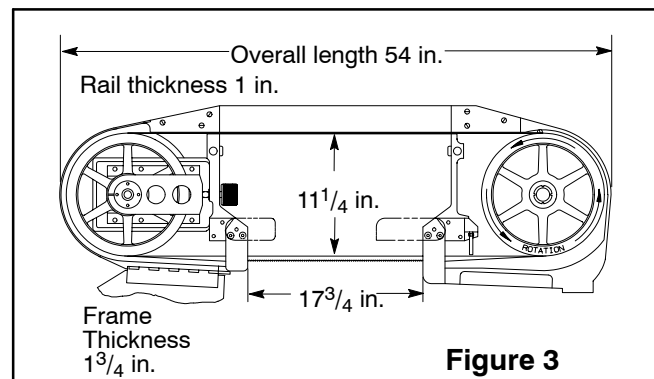
3.1 Follow the wiring diagram shown on page 16 for all dual voltage (6 or 9 wire) motors. All motors require a power cord with three leads plus an earth ground.

3.1.1 Make sure that rear wheel (item 51, Figure B, page 5) rotates counterclockwise.

Note: the power supply must be connected to perform the above test only.

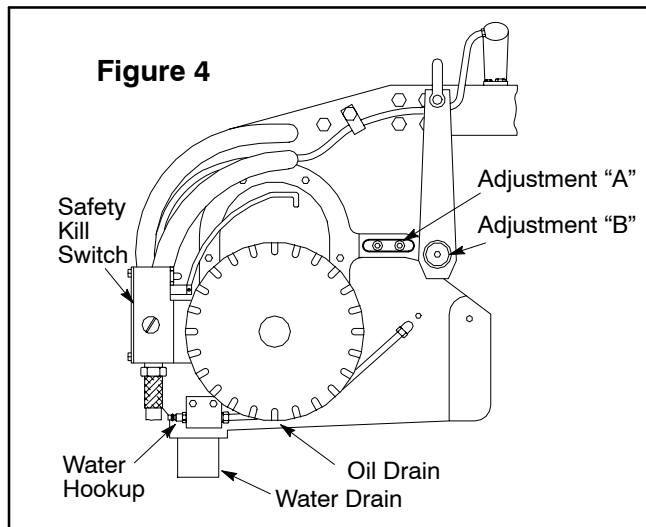
4 Install the balancer above the work station on a trolley.

4.1 The trolley should have sufficient travel to allow the operator to reach the entire work area. *Refer to figure 3 for dimensions.*



- 5 Suspend the Buster IV from the balancer.
 - 5.1 Adjust the balancer to the operators' preference.
- 6 Adjust the hanger.

Refer to figure 4 for steps 6.1-6.2.



- 6.1 Adjustment "A" to adjust the tilt of the saw:
 - Move hanger bracket (item 2, page 7) toward the rear of the Buster IV to tip the nose of the saw down.
 - Move the hanger bracket toward the front of the Buster IV to tip the nose of the saw up.
- 6.2 Adjustment "B" to adjust the saw to cut **straight down the backbone**:
 - Turn handle (item 7, page 7) clockwise to cut more to the right.
 - Turn the handle counter-clockwise to cut more to the left.
- 7 Attach a cold or warm water hookup.

Refer to figure 4 for steps 7.1-7.2.

 - 7.1 Attach cold or warm water to quick connect plug (item 24, Figure B, page 5).
 - 7.2 Attach a drain hose (supplied by customer) to the drain coupling (item 27, Figure B, page 5).

OPERATION INSTRUCTIONS

ALWAYS DISCONNECT THE POWER SUPPLY IN ACCORDANCE WITH OSHA'S LOCKOUT/TAGOUT PROCEDURES (29 CFR 1910.147) BEFORE PERFORMING ANY MAINTENANCE OR REPAIRS.

- 1 Turn on the power.
- 2 Prior to use or daily, perform the following tests.
 - 2.1 Make sure that the dual anti-tie down control handles (the top and the rear handles) are working correctly. **Depress one** trigger, then pause one second and depress the other trigger and the tool **should not** start. **Repeat** this procedure reversing the triggers. **Depress both** triggers simultaneously (within one half second of each other) and the tool **should** start. With the tool running, **release one** trigger and the tool **should** stop. **Continue** holding the depressed trigger and then depress the other trigger. The tool **should not** start. **Repeat** this procedure holding the other trigger. *If the tool malfunctions, remove it from service and report the problem to your supervisor immediately.*
 - 2.2 Make sure that the Buster IV moves freely on its balancer.
- 3 Making the cut.

If an elevating platform is used, the operator can keep the Buster IV in a horizontal position during most of the split.

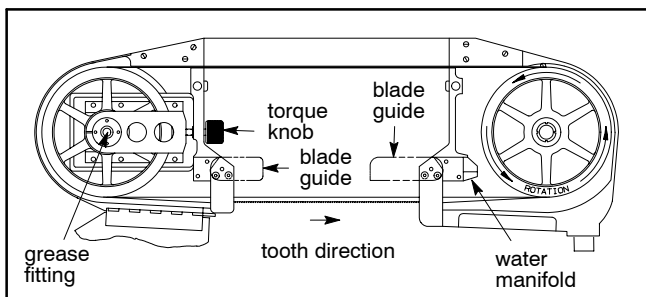
Always avoid using pressure; instead, guide the Buster IV.

Step 3.1 is necessary only during the operators' learning period.

 - 3.1 Mark the center of the backbone of the beef with a knife.
 - 3.2 Start the Buster IV.
 - 3.3 Saw through the tail bone (using the knife mark as a guide).
 - 3.3.1 The idler end of the Buster IV should be pointing upward while sawing through the tail bone.
 - 3.3.2 Do not pressure the Buster IV; guide the Buster IV.

- 3.4 When the tail bone hits the crossbeam of the Buster IV, saw until the tail bone breaks apart and the Buster IV is allowed to continue its path down the backbone of the beef.
- 3.4.1 The drive end of the Buster IV should be lower than the idler end while sawing through the tail bone.
- 3.5 After the tail and aitch bones have been split, saw through the loin area.
- 3.5.1 The Buster IV should be in a horizontal position during this cut.
- 3.5.2 Do not pressure the Buster IV; guide the Buster IV to ensure a straight cut.
- 3.6 Saw through the shoulder and neck of the beef.
- 3.6.1 The idler end of the Buster IV should be pointing downward while sawing through the shoulder and neck.

MAINTENANCE INSTRUCTIONS

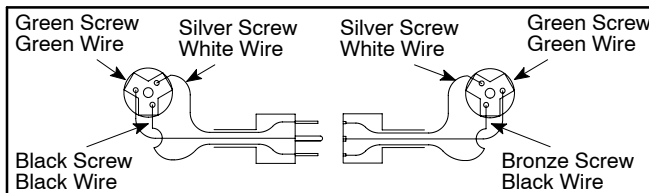


ALWAYS DISCONNECT THE POWER SUPPLY IN ACCORDANCE WITH OSHA'S LOCKOUT/TAGOUT PROCEDURES (29 CFR 1910.147) BEFORE PERFORMING ANY REPAIRS OR MAINTENANCE.

1 DAILY:

- 1.1 The Buster IV is equipped with dual anti-tie down control handles (the top and the rear handles). Check for the correct operation of the dual anti-tie down control handles *prior to use or daily*. **Depress one** trigger, then pause one second and depress the other trigger and the tool should not start. **Repeat** this procedure reversing the triggers. **Depress both** triggers simultaneously (within one half second of each other) and the tool should start. With the tool running, **release one** trigger and the tool should stop. **Continue** holding the depressed trigger and then depress the other trigger. The tool should not start. **Repeat** this procedure holding the other trigger. *If the tool malfunctions, repair or remove it from service immediately.* **Note: the power supply must be connected to perform the above operation only.**
- 1.2 Clean and check the blade guide assemblies. *Refer to the parts diagram on page 6 for referenced items.*
- 1.2.1 Remove four (4) screws (item 18).
- 1.2.2 Remove fiber blade guides (item 23).
- 1.2.3 Remove six (6) screws (items 26).
- 1.2.4 Slide the blade guide mounting plate (item 24) out of the guide housing (item 19).
- 1.2.5 Remove screw (item 22).
- 1.2.6 Rotate or replace back-up blade guide (item 21) as required.
- 1.2.7 Reinstall and tighten screw (item 22).
- 1.2.8 Rotate or replace blade guide inserts (item 25) as required.
- 1.2.9 Insert a 0.022 feeler gage between the blade guide inserts (item 25).
- 1.2.10 Apply a light pressure to the outside of the blade guide inserts (item 25).
- 1.2.11 Tighten the six (6) screws (item 26).
- 1.2.12 Replace fiber blade guides (item 23).
- 1.2.13 Install and tighten four (4) screws (item 18).

- 1.3 Check the rear wheel.
 - 1.3.1 Tighten locknut (item 50, Figure B, page 5) to 80 lbf-ft. (109 N-m). **Jarvis** wrench 8039120 is available.
- 1.4 Check the front bearings.
 - 1.4.1 Grease the front wheel bearings through grease fitting (item 5, Figure A, page 4) with USDA approved wheel bearing grease.
- 1.5 Check the oil in the gear housing.
 - 1.5.1 Check the level of oil in the gear housing (item 34, page 6).
 - 1.5.2 Change the oil if these conditions exist:
 - *The oil contains water.*
 - *The oil is dark or gritty.*
 - *Any bearing is being replaced.*
 - 1.5.2.1 The saw should be tilted rearward and filled with approximately 1¹/₂ quarts (1.4 liters) of SAE 80W - 90EP hypoid gear lube.
- 1.6 Check the cord and plug assembly.
 - 1.6.1 Check the cord and plug assembly (items 5-7, page 11) for wear and replace if necessary.

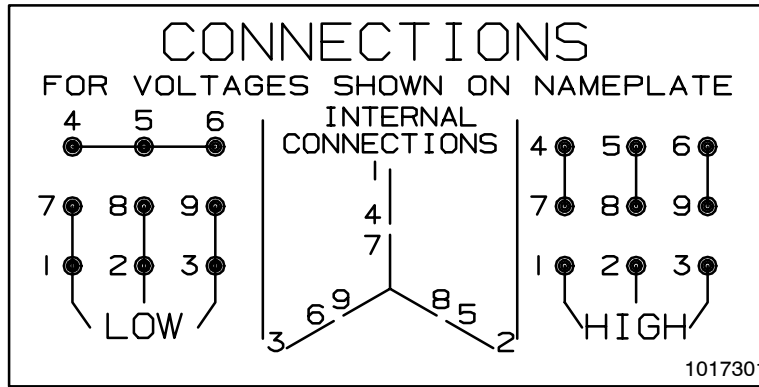


2 WEEKLY:

Refer to page 6 for referenced items unless otherwise noted.

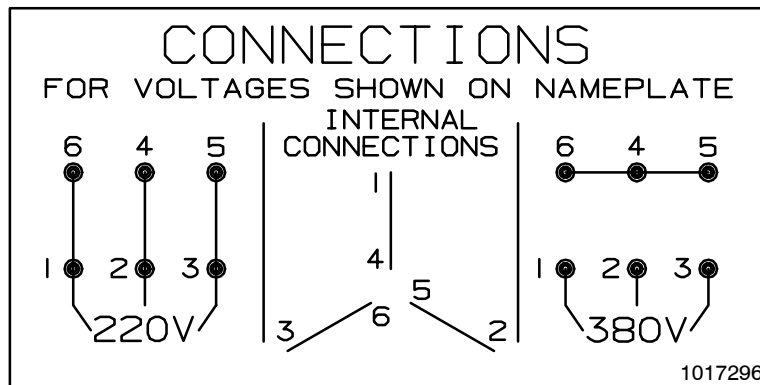
- 2.1 Clean the torque knob.
 - 2.1.1 Remove the torque knob (item 27, Figure A, page 4) from the Buster IV.
 - 2.1.2 Remove screws (item 12).
 - 2.1.3 Remove cover (item 11).
 - 2.1.4 Turn the torque knob over.
 - 2.1.5 Remove retaining ring (item 2).
 - 2.1.6 Remove shaft (item 3) assembly.
 - 2.1.7 Clean all grease out of the torque knob.
 - 2.1.8 Turn the torque knob so that ball plungers (item 10) are visible.
 - 2.1.9 Pour oil onto the ball plungers.
 - 2.1.10 Work each ball plunger up and down with a wooden dowel to lubricate the springs.
 - 2.1.11 Apply **Jarvis 1315 White Grease** to the ball plunger surface and to the bearing (item 9).
 - 2.1.12 Install the shaft (item 3).
 - 2.1.13 Rotate the shaft slightly until you can feel the balls fall into their holes.
 - 2.1.14 Install the retaining ring (item 2).
 - 2.1.15 Tighten the torque knob to 60-65 lbf-in. (6.8-7.3 N-m). Torque wrench nut adapter 8030054 and torque wrench 8039138 are available.
 - 2.1.16 Install the torque knob cover (item 11).
 - 2.1.17 Install the screws (item 12).
 - 2.1.18 Install the torque knob on the Buster IV.
- ## 3 WHEN NECESSARY.
- 3.1 Replace the blade.
 - 3.1.1 Open covers (item 3, Figure A, page 4 and item 41, Figure B, page 5).
 - 3.1.2 Loosen the torque knob assembly (item 27, Figure A, page 4) by turning it fully counter-clockwise.
 - 3.1.3 Raise the blade guide assemblies (item 29, Figure A, page 4 and item 63, Figure B, page 5) so that both guide assemblies are parallel to the floor.
 - 3.1.4 Install the blade with teeth pointing inward, toward the frame.
 - 3.1.5 Tighten the torque knob until it "clicks."
 - 3.1.6 Twist the blade so that the teeth point downward; set the blade guide assemblies down over the blade.
 - 3.1.7 Close the covers.
 - 3.1.8 Tighten the torque knob after saw has run a few minutes.
 - 3.2 Tighten the front wheel.
 - 3.2.1 Turn the front bearing locknut (item 6, Figure A, page 4) clockwise until hand tight.

Nine Wire Motor Hook-up 3 PHASE



TO REVERSE ROTATION INTERCHANGE ANY 2 LINE WIRES.

Six Wire Motor Hook-up 3 PHASE



TO REVERSE ROTATION INTERCHANGE ANY 2 LINE WIRES.